



Sound absorbing material for residential drainage

Sound Absorbing Cover II

High performance for sound absorbing

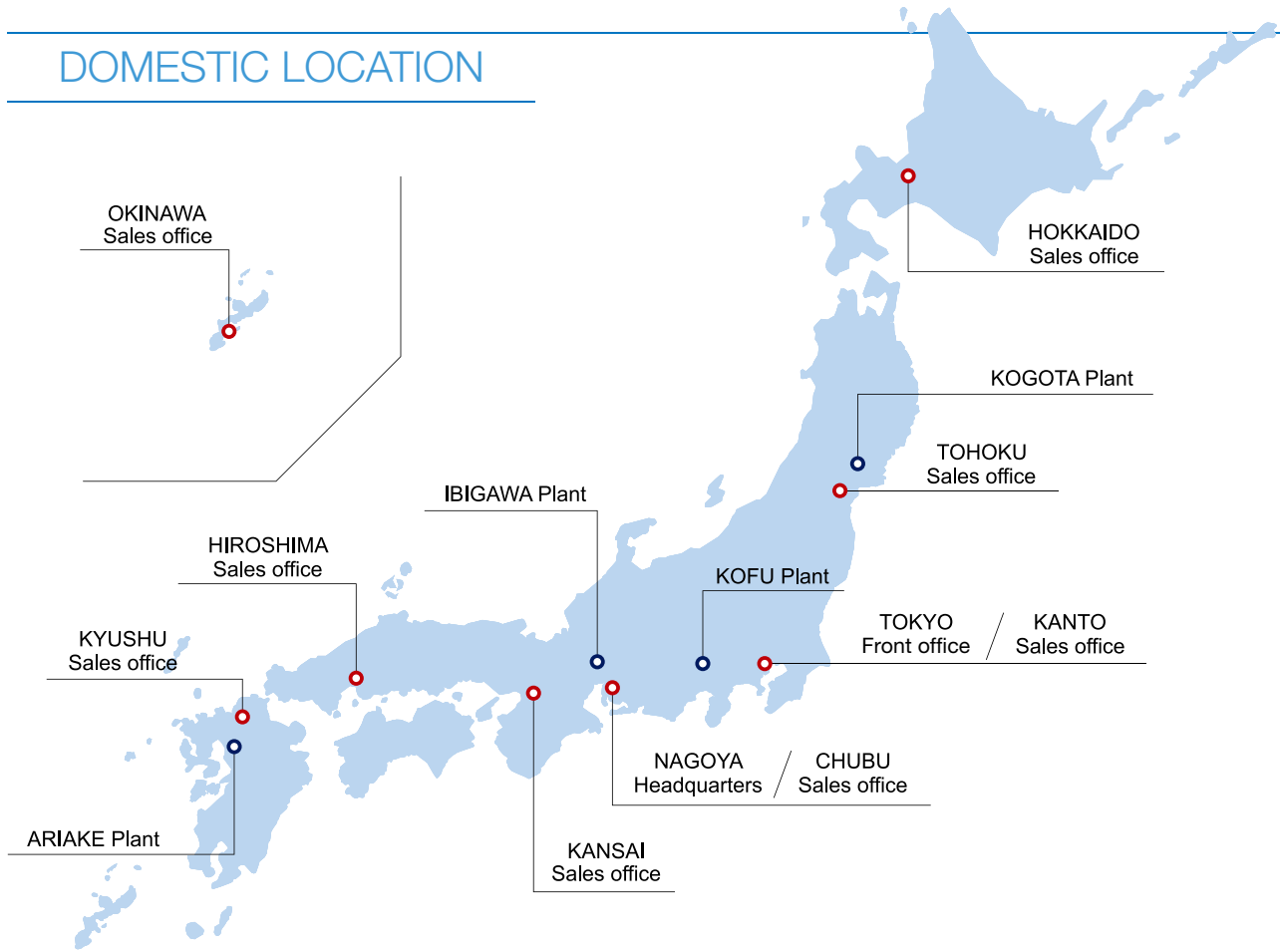
Easy construction

vol.1

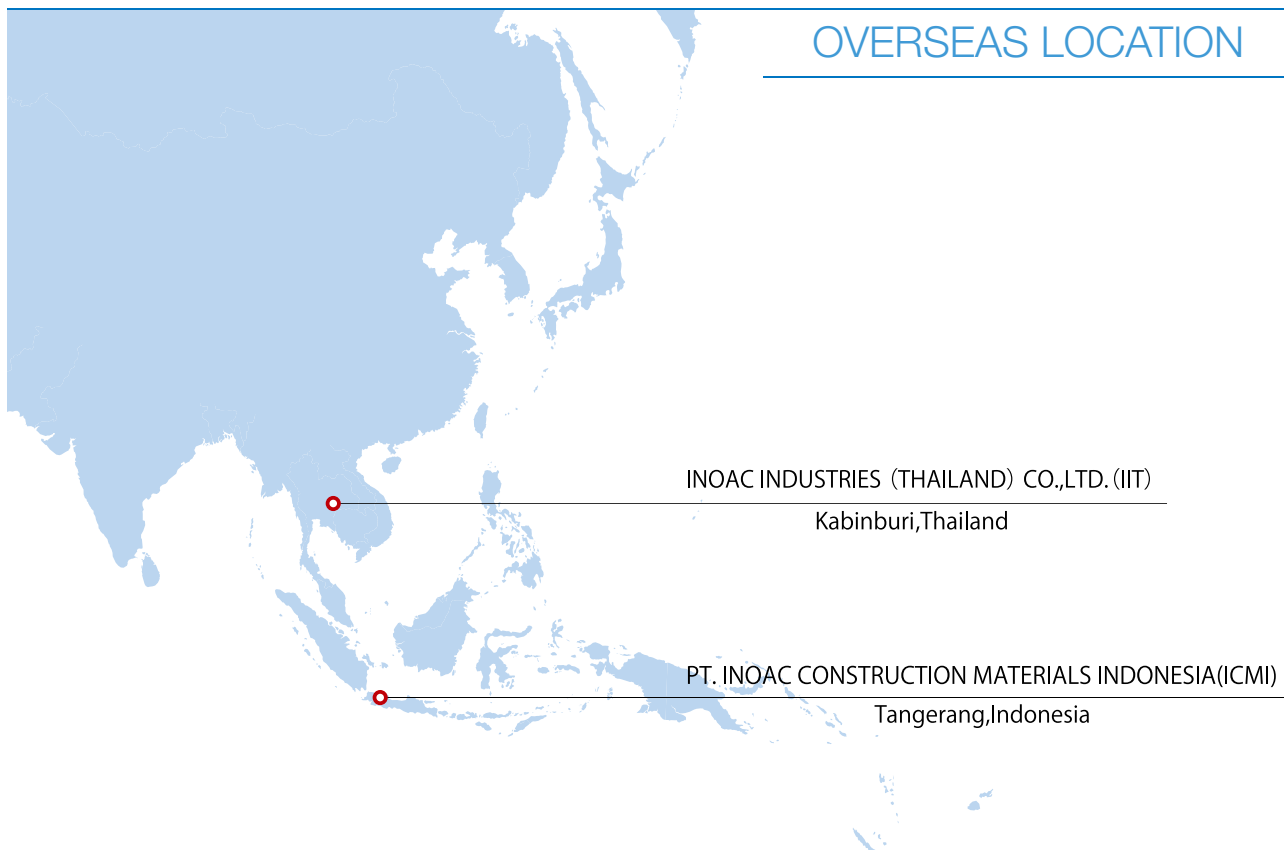
Supporting a comfortable life
with industry-leading quietness



DOMESTIC LOCATION



OVERSEAS LOCATION



INOAC Housing & Construction Materials Co., LTD.

INOAC Hibino Bldg.2F, 4-9-27 Taihou, Atsuta-ku, Nagoya, Japan 456-0062

TEL: (+81) 52-684-0266 FAX: (+81) 52-684-0277

<https://www.inoac-juukan.co.jp/en>

Email: jyuhp@inoac.co.jp



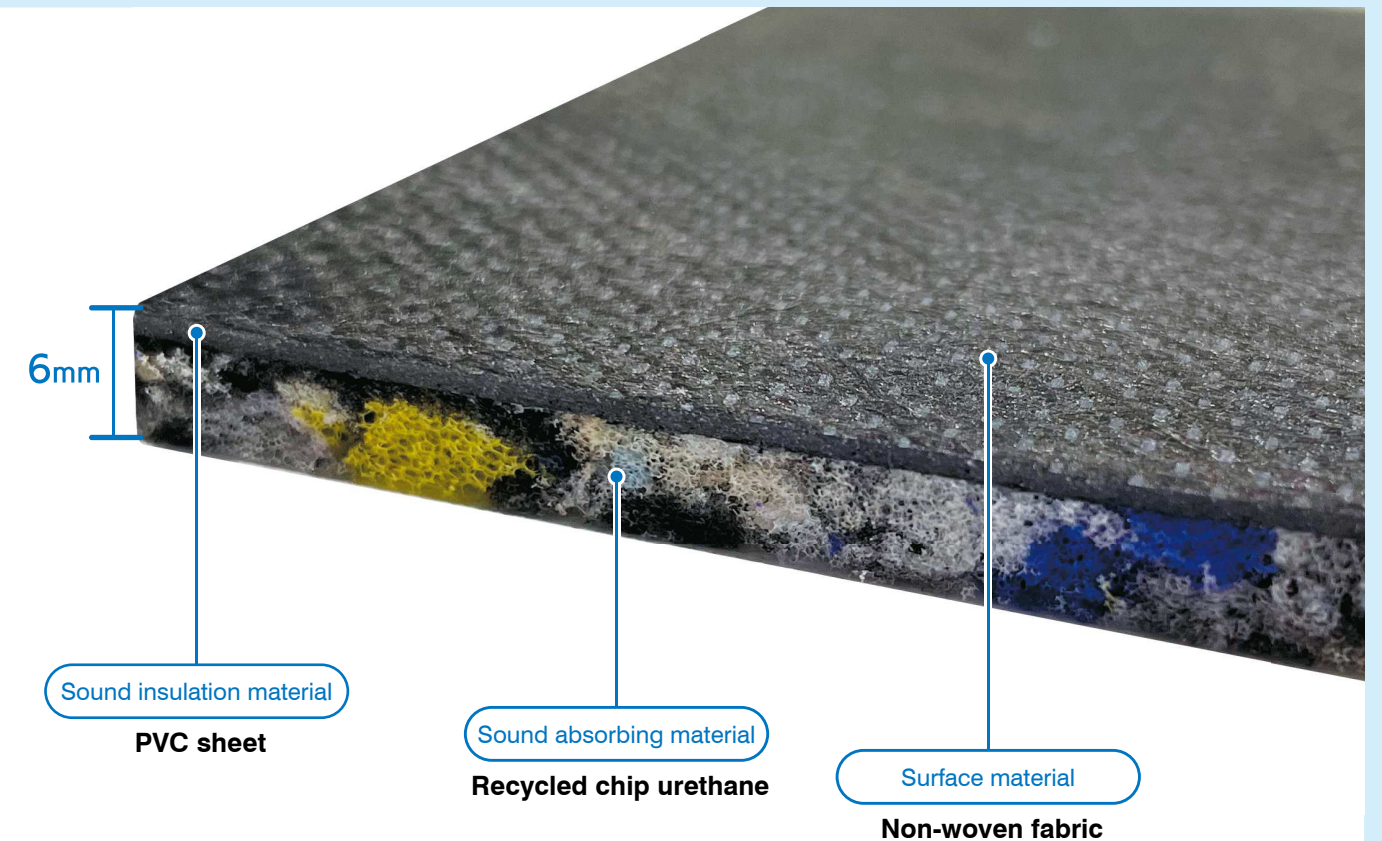
INOAC Housing & Construction Materials Co., LTD.

<https://www.inoac-juukan.co.jp/en/>

<https://inoac-icmi.co.id/>

Sound Absorbing Cover II

Significantly reduce annoying drainage noise! Realize a quiet and comfortable life.



1 High sound absorbing effect

The double structure of sound absorbing/insulating materials enables a significant sound absorbing effect. Reduces the noise of drainage, especially in the early morning and late night hours.

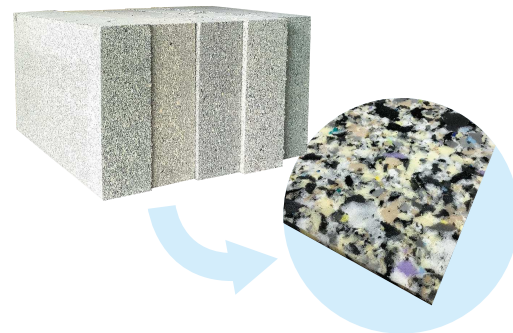


2 Environmentally Friendly

We use recycled chip urethane as the absorbent material which is generated during in-house manufacturing. Environmentally friendly by reusing scraps of sofas and cushions.

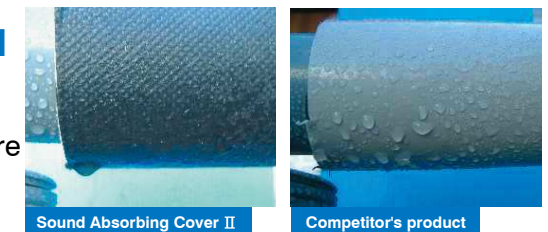


Recycled chip urethane



3 Non-woven surface material prevents condensation

Water drops generated by temperature differences easily evaporate due to non-woven fabric which prevents condensation on the surface.



4 Transparent fittings prevent forgetting to apply adhesive

Transparent PVC fittings are standard. It is also with a confirmation slit. If colored adhesive is used, you can reconfirm it even after pipes are installed.

* Transparent fittings are used only for OD60 and OD89.



5 Compatible with a wide range of construction

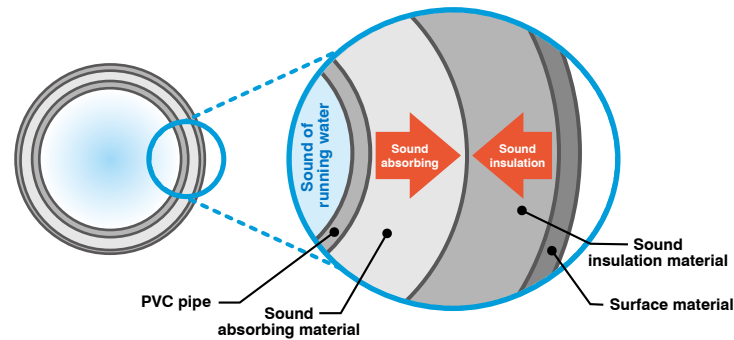
With a total of 92 types of product lineup, including a wide range of accessories, you can efficiently select parts that match any site.



Silence performance of Sound Absorbing Cover II

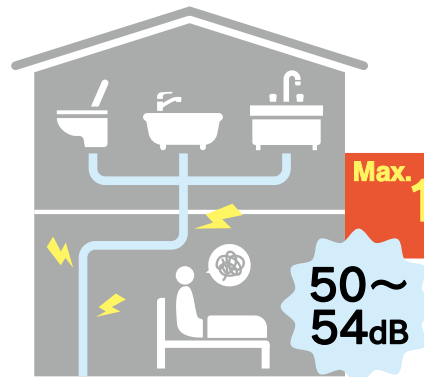
Sound absorbing mechanism

The noise is caused by the instantaneous flow of water during drainage and the vibrations caused by water falling from the upper floors to the lower floors. The sound of running water is significantly reduced by the two-layer structure made of absorbing/insulating materials.

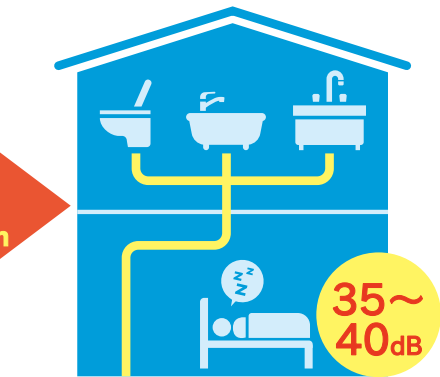


In the case of a wooden two-story apartment building:

No sound absorbing



Sound Absorbing Cover II

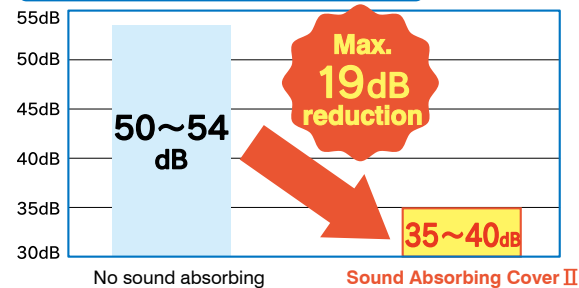


Drainage noise is especially noticeable during quiet hours in the early morning and late at night. If you install Sound Absorbing Cover II, the drainage noise will be reduced to 35dB. It's as quiet as a whisper in a library and you can stay comfortable without disturbing your sleep.

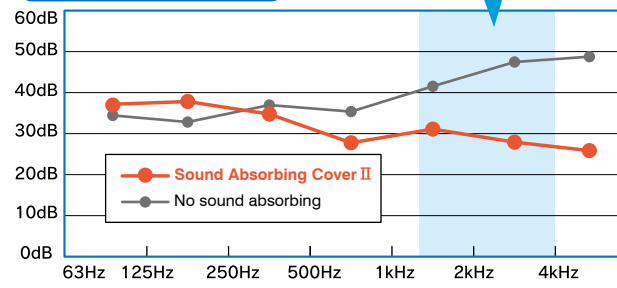
*Based on laboratory measurement data

Reference: Sound absorbing data

A weighted sound pressure level (noise level)



Sound pressure level



*This graph is a measurement result, not a guaranteed value.

Sound Absorbing Cover II has achieved 35dB of noise reduction which is the top performance in the industry. 19dB of noise reduction can be achieved compared with no sound absorbing measures. Especially, the reduction effect performs in the most annoying sound range (Hz).

dB (decibel): A unit that expresses noise level and loudness. The higher the value, the louder the noise.
Hz (hertz): A frequency that represents the pitch of a sound. This means the number of times a sound wave rises and falls per minute; the higher the value, the higher the sound.

Choose between "Added-later type" and "PVC integrated type" Easy to install.

"On-site Construction Series" is a simple added-later type.
 "PVC Drain Pipe/Fitting Integrated Series" is quick and easy to handle.

Total 92 types

On-site Construction Series



PVC Drain Pipe/Fitting Integrated Series



Features

① Light weight and easy to cut



② Slidable: Easy positioning & handling



③ Transparent fittings prevent forgetting to glue



④ Compatible with any construction by 9 types of accessories

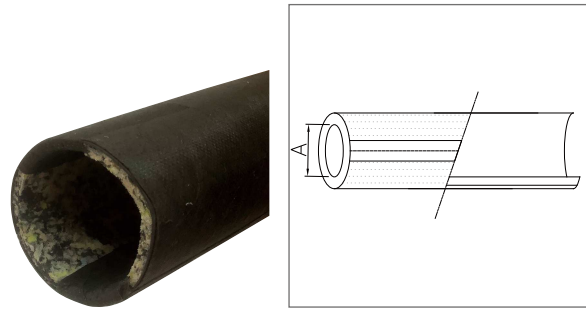


It has a slit so that you can recheck with colored adhesive even after installation.

* Transparent fittings are used only for OD60 and OD89.

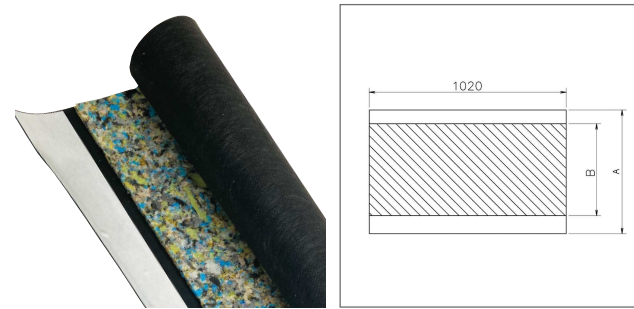
On-site Construction Series

● Straight Tube Type



Article Number	OD	Thickness (mm)	Size (mm)		Quantity (Pcs/Case)
			φA		
FOC-P-50	60	6	80		10
FOC-P-75	89	6	111		10
FOC-P-100	114	6	137		10

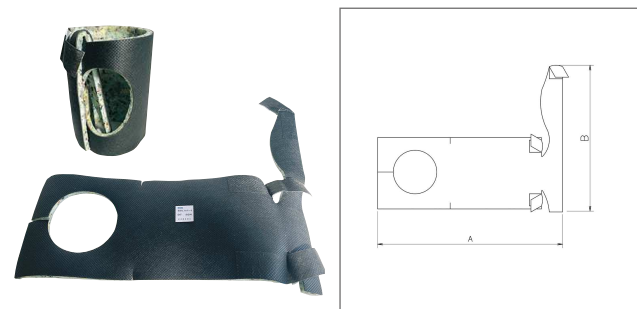
● Straight Pipe Sheet



Article Number	OD	Thickness (mm)	Length (mm)	Size (mm)		Quantity (Pcs/Case)
				A	B	
FOC-C-50	60	6	1,020	330	250	10
FOC-C-75	89	6	1,020	430	350	10
FOC-C-100	114	6	1,020	530	450	10

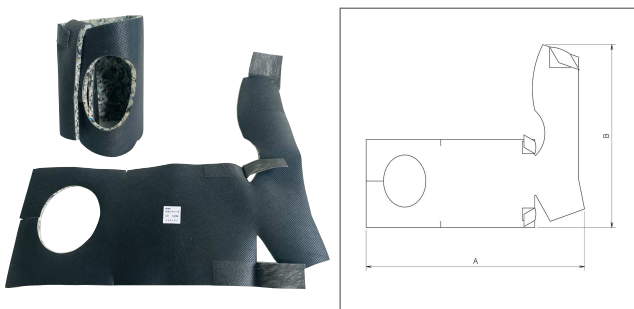
* 20 wire bands are included.

● On-site 90°Y pipe



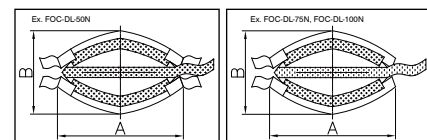
Article Number	OD	Thickness (mm)	Size (mm)		Quantity (Pcs/Case)
			A	B	
FOC-DT-50N	60	6	306	240	10
FOC-DT-75N	89	6	436	340	10
FOC-DT-7550N	89×60	6	429	245	10

● On-site 90°Large Bent Y pipe



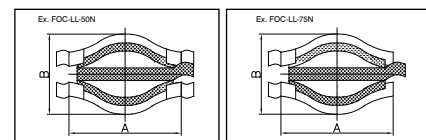
Article Number	OD	Thickness (mm)	Size (mm)		Quantity (Pcs/Case)
			A	B	
FOC-LT-50N	60	6	351	285	10
FOC-LT-75N	89	6	485	400	10
FOC-LT-7550N	89×60	6	455	300	10

● On-site 90°Elbow



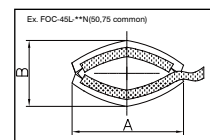
Article Number	OD	Thickness (mm)	Size (mm)				Quantity (Pcs/Case)
			A	B	L	H	
FOC-DL-50N	60	6	240	155	10	10	
FOC-DL-75N	89	6	340	240	10	10	
FOC-DL-100N	114	6	425	299	6	6	

● On-site 90°Large Bent Elbow



Article Number	OD	Thickness (mm)	Size (mm)				Quantity (Pcs/Case)
			A	B	L	H	
FOC-LL-50N	60	6	240	245	8	8	
FOC-LL-75N	89	6	340	310	6	6	

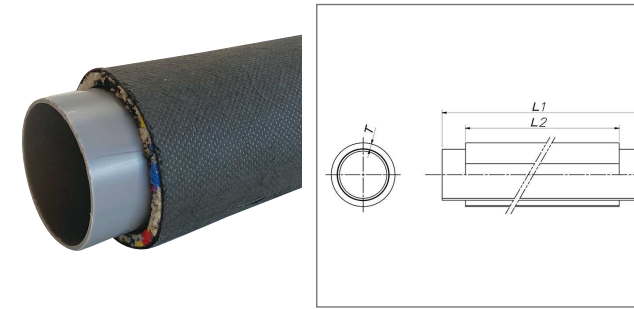
● On-site 45°Elbow



Article Number	OD	Thickness (mm)	Size (mm)				Quantity (Pcs/Case)
			A	B	L	H	
FOC-45L-50N	60	6	245	111	10	10	
FOC-45L-75N	89	6	345	165	10	10	

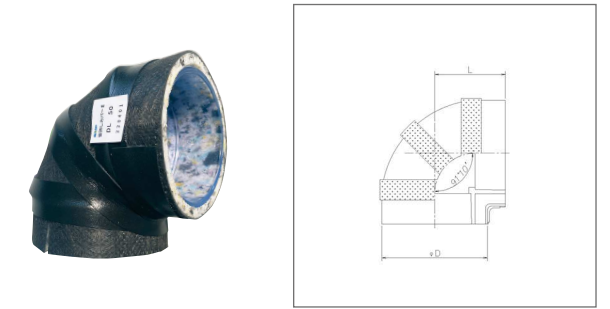
PVC Drain Pipe/Fitting Integrated Series

● Straight pipe



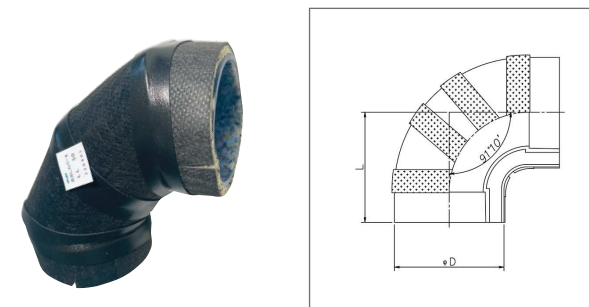
Article Number	OD	Thickness (mm)	Length (mm)		Quantity (Pcs/Case)
			L1 PVC	L2 Sheet	
FOC-2.8P-40	48	6	2,800	2,720	5
FOC-2.8P-50	60	6	2,800	2,720	5
FOC-2.8P-75	89	6	2,800	2,720	5
FOC-2.8P-100	114	6	2,800	2,720	2
FOC-4P-50	60	6	4,000	3,920	5
FOC-4P-75	89	6	4,000	3,920	3
FOC-4P-100	114	6	4,000	3,920	2

● 90°Elbow



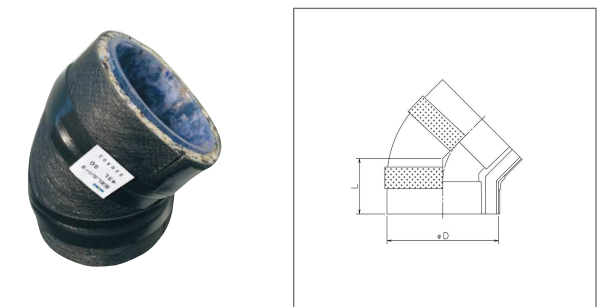
Article Number	OD	PVC Spec	Size (mm)		Quantity (Pcs/Case)
			D	L	
FOC-DL-D40	48	DV Fitting	66	49	8
FOC-DL-50	60	Transparent Fitting	79	58	20
FOC-DL-75	89	Transparent Fitting	109	88	12
FOC-DL-100	114	VU Fitting	136	112	6
FOC-DL-5040	60×48	VU Fitting	79	54	12
FOC-DL-7550	89×60	Transparent Fitting	109	72	12
FOC-DL-10075	114×89	VU Fitting	136	102	6

● 90°Large Bent Elbow



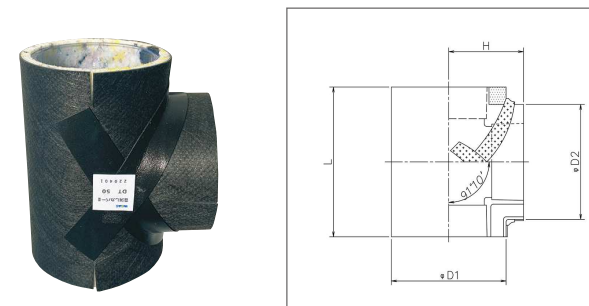
Article Number	OD	PVC Spec	Size (mm)		Quantity (Pcs/Case)
			D	L	
FOC-LL-D40	48	DV Fitting	66	74	6
FOC-LL-50	60	Transparent Fitting	79	91	18
FOC-LL-75	89	Transparent Fitting	109	140	8
FOC-LL-100	114	VU Fitting	136	178	6

● 45°Elbow



Article Number	OD	PVC Spec	Size (mm)		Quantity (Pcs/Case)
			D	L	
FOC-45L-D40	48	DV Fitting	66	36	8
FOC-45L-50	60	Transparent Fitting	79	43	16
FOC-45L-75	89	Transparent Fitting	109	65	12
FOC-45L-100	114	VU Fitting	136	80	9

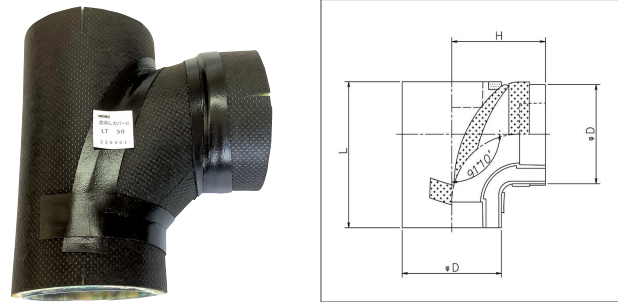
● 90°Y pipe



Article Number	OD	PVC Spec	Size (mm)				Quantity (Pcs/Case)
			D1	D2	L	H	
FOC-DT-50	60	Transparent Fitting	79	79	118	59	16
FOC-DT-75	89	Transparent Fitting	109	109	177	88	9
FOC-DT-100	114	VU Fitting	136	136	225	112	6
FOC-DT-5040	60×48	DV Fitting	79	66	104	55	10
FOC-DT-7540	89×48	DV Fitting	109	66	115	70	6
FOC-DT-7550	89×60	Transparent Fitting	109	79	149	73	10
FOC-DT-10050	114×60	VU Fitting	136	79	169	87	8
FOC-DT-10075	114×89	VU Fitting	136	109	197	102	6

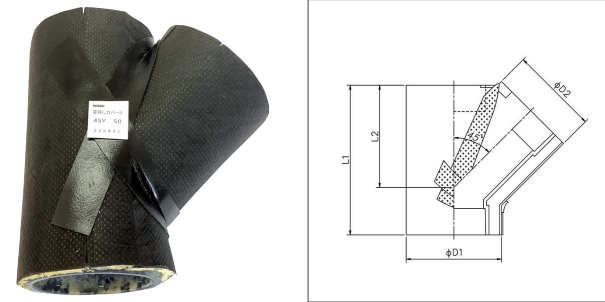
PVC drain pipe/fitting Integrated Series

90° Large Bent Elbow



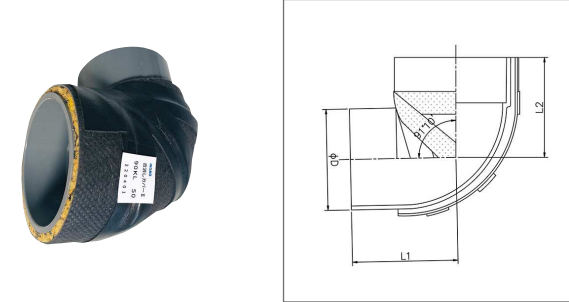
Article Number	OD	PVC Spec	Size (mm)			Quantity (Pcs/Case)
			D	L	H	
FOC-LT-50	60	Transparent Fitting	79	142	91	15
FOC-LT-75	89	Transparent Fitting	109	210	140	6
FOC-LT-100	114	VU Fitting	136	273	178	4
FOC-LT-7550	89×60	Transparent Fitting	109	175	104	8
FOC-LT-10050	114×60	VU Fitting	136	198	115	6
FOC-LT-10075	114×89	VU Fitting	136	233	150	6

45° Y pipe



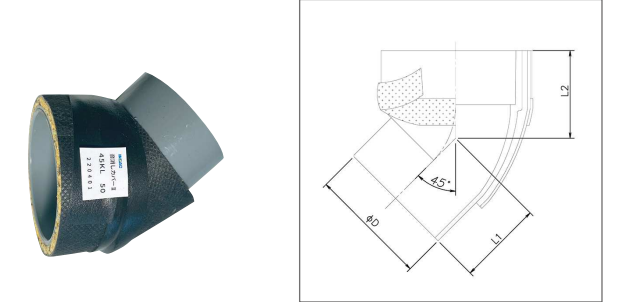
Article Number	OD	PVC Spec	Size (mm)				Quantity (Pcs/Case)
			D1	D2	L1	L2	
FOC-45Y-50	60	Transparent Fitting	79	79	142	97	10
FOC-45Y-75	89	Transparent Fitting	109	109	212	146	6
FOC-45Y-100	114	VU Fitting	136	136	266	184	4
FOC-45Y-7550	89×60	VU Fitting	109	79	169	126	8
FOC-45Y-10050	114×60	VU Fitting	136	79	190	148	6
FOC-45Y-10075	114×89	VU Fitting	136	109	237	168	4

90° Elbow with pipe holder only one side



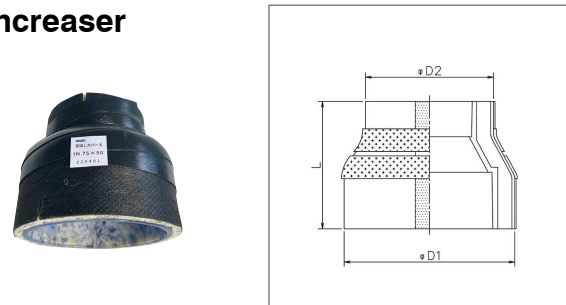
Article Number	OD	PVC Spec	Size (mm)			Quantity (Pcs/Case)
			L1	L2	D	
FOC-KL-50	60	VU Fitting	62	58	60	10
FOC-KL-75	89	VU Fitting	93	88	89	6

45° Elbow with pipe holder only one side



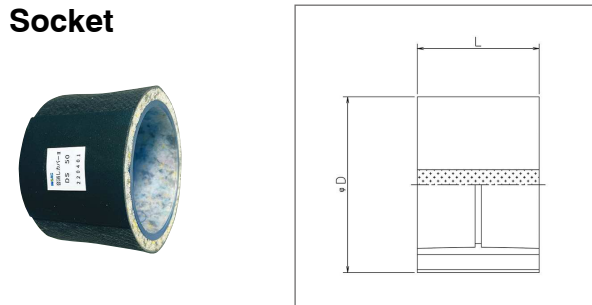
Article Number	OD	PVC Spec	Size (mm)			Quantity (Pcs/Case)
			D	L1	L2	
FOC-45KL-50	60	VU Fitting	60	41	43	10
FOC-45KL-75	89	VU Fitting	89	63	65	6

Increaser



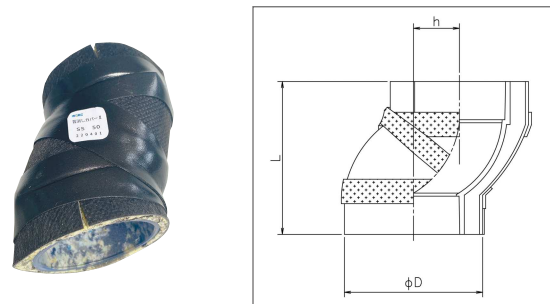
Article Number	OD	PVC Spec	Size (mm)			Quantity (Pcs/Case)
			D1	D2	L	
FOC-IN-5040	60×48	DV Fitting	79	66	67	8
FOC-IN-7550	89×60	Transparent Fitting	109	79	90	10
FOC-IN-10050	114×60	VU Fitting	136	79	105	6
FOC-IN-10075	114×89	VU Fitting	136	109	120	6

Socket



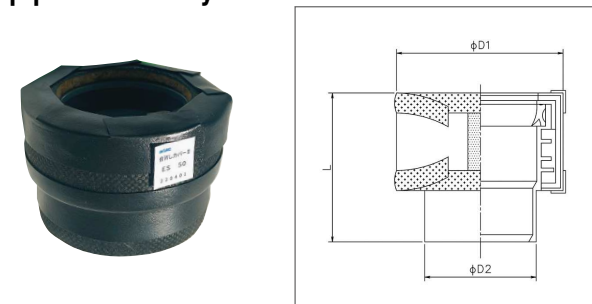
Article Number	OD	PVC Spec	Size (mm)		Quantity (Pcs/Case)
			D	L	
FOC-DS-D40	48	DV Fitting	66	47	12
FOC-DS-50	60	Transparent Fitting	79	53	18
FOC-DS-75	89	Transparent Fitting	109	84	26
FOC-DS-100	114	VU Fitting	136	104	16

S Socket



Article Number	OD	PVC Spec	Size (mm)			Quantity (Pcs/Case)
			D	L	H	
FOC-SS-50	60	Transparent Fitting	79	100	30	16
FOC-SS-75	89	Transparent Fitting	109	155	45	12
FOC-SS-100	114	VU Fitting	136	195	57	6

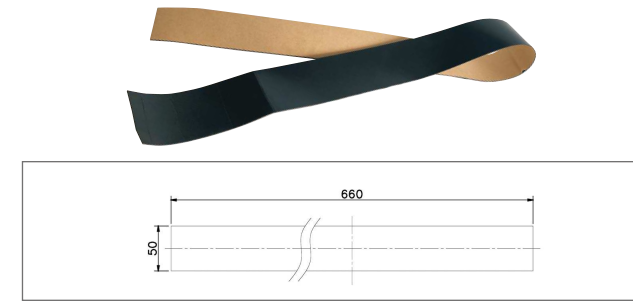
Adjustable Extension Socket with pipe holder only one side



Article Number	OD	PVC Spec	Size (mm)			Quantity (Pcs/Case)
			D1	D2	L	
FOC-ES-50	60	VU Fitting	95	60	92	8
FOC-ES-75	89	VU Fitting	129	89	121	4
FOC-ES-100	114	VU Fitting	159	114	140	3

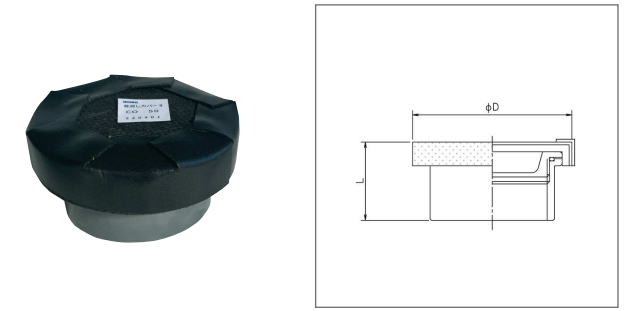
Accessories

Joint Tape



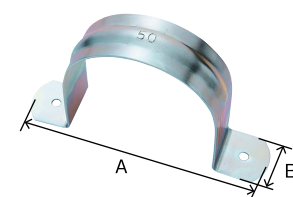
Article Number	Size (mm)		Quantity (Pcs/Case)
	Thickness	Wide × Length	
FOC-JT-50	1	50×660	50

Cleaning Port



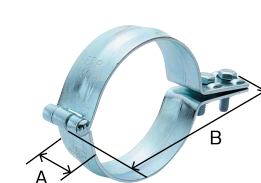
Article Number	OD	Size (mm)		Quantity (Pcs/Case)
		D	L	
FOC-CO-50	60	79	38	12
FOC-CO-75	89	109	56	9
FOC-CO-100	114	136	67	8

Saddle Band



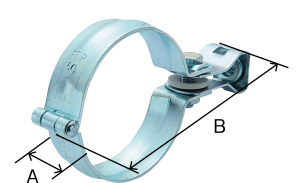
Article Number	OD	Size (mm)		Quantity (Pcs/Case)
		A	B	
00103860050	60	122	25	170
00103860075	89	158	25	120
00103860100	114	184	25	100

Stand Band



Article Number	OD	Size (mm)		Quantity (Pcs/Case)
		A	B	
N-101232050	60	25	132	150
N-101232075	89	25	160	100
N-101232100	114	25	187	100

Hanging Band

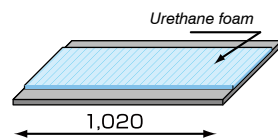


Article Number	OD	Size (mm)		Quantity (Pcs/Case)
		A	B	
N-010185050	60	25	147	120
N-010185075	89	25	177	100
N-010185100	114	25	203	80

On-site Construction Series

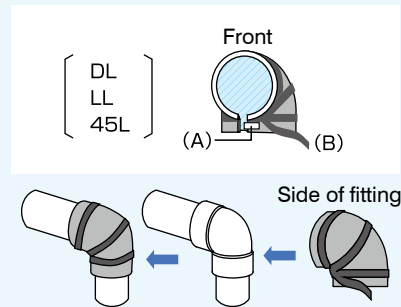
Straight Pipe Sheet

* Each piece comes with 2 wire bands.



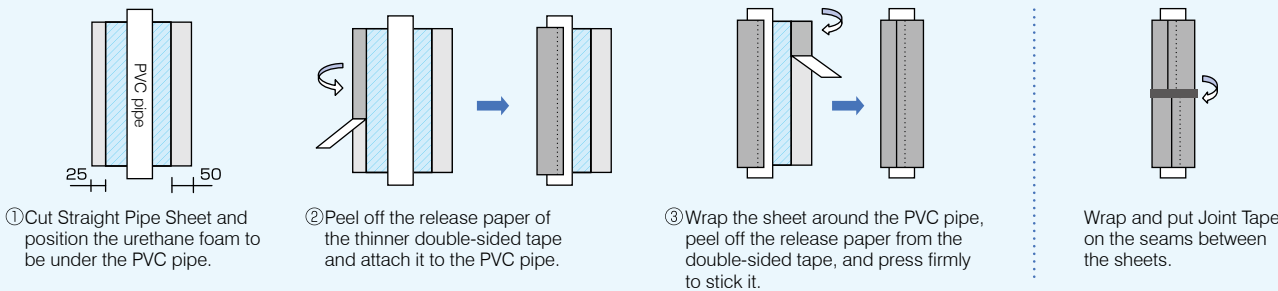
In case of the straight pipe only

1 Installation of On-site Construction Series



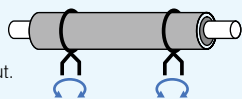
- 1 Cover On-site Construction Fitting over the PVC fitting after piping.
- 2 Peel off the release paper of Tape (A) from the fitting and attach it to the opposite sheet(2 locations).
Not available in OD60 of 45L, DL, and LL.
- 3 Peel off the release paper of Pressure Tape (B) and wrap it through the inside of the fitting and onto the pressure tape on the back.
- 4 Wrap Joint Tape on the connection part with the pipe.
**In case of AK-F LT DT, please contact us since they are wrapping construction.*

2 Wrapping Straight Pipe Sheet



3 Installation of Wire Band

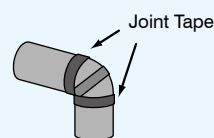
While pulling strongly left and right, cross it several times. Make sure there are no gaps throughout.



In case of connecting with 1

4 Finishing the elbow and straight pipe connection.

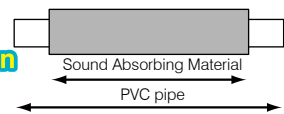
Wrap the Joint Tape not to make any gaps between the straight pipe & fitting and hold until it is completely adhered.



PVC Drain Pipe/Fitting Integrated Series

Straight Pipe Basic Dimension

1 L Dimension (Common to all diameters)



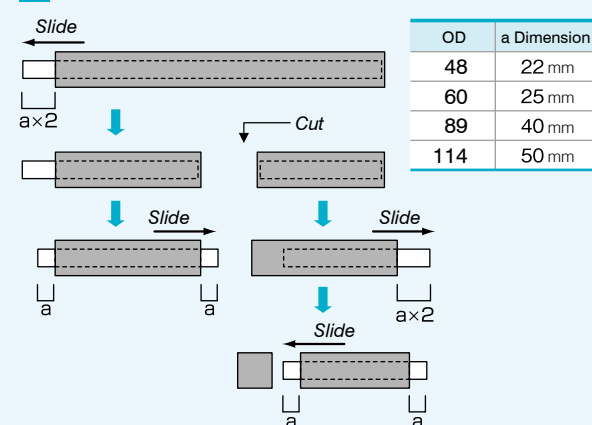
	2800 Standard	4000 Standard
PVC pipe	2800 mm	4000 mm
Sound Absorbing Material	2720 mm	3920 mm

*Pay attention to the cutting dimension since L dimension of this product is the same regardless of the diameter.

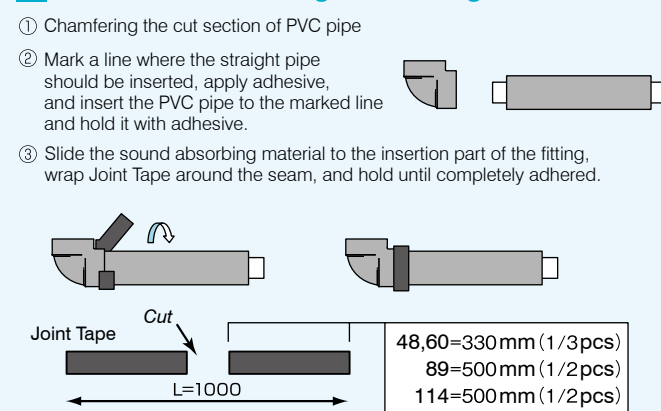
2 OD of Sound Absorbing Material

OD	64 mm	76 mm	105 mm	131 mm
Sound Absorbing Material				

1 Integrated Straight Pipe Cutting



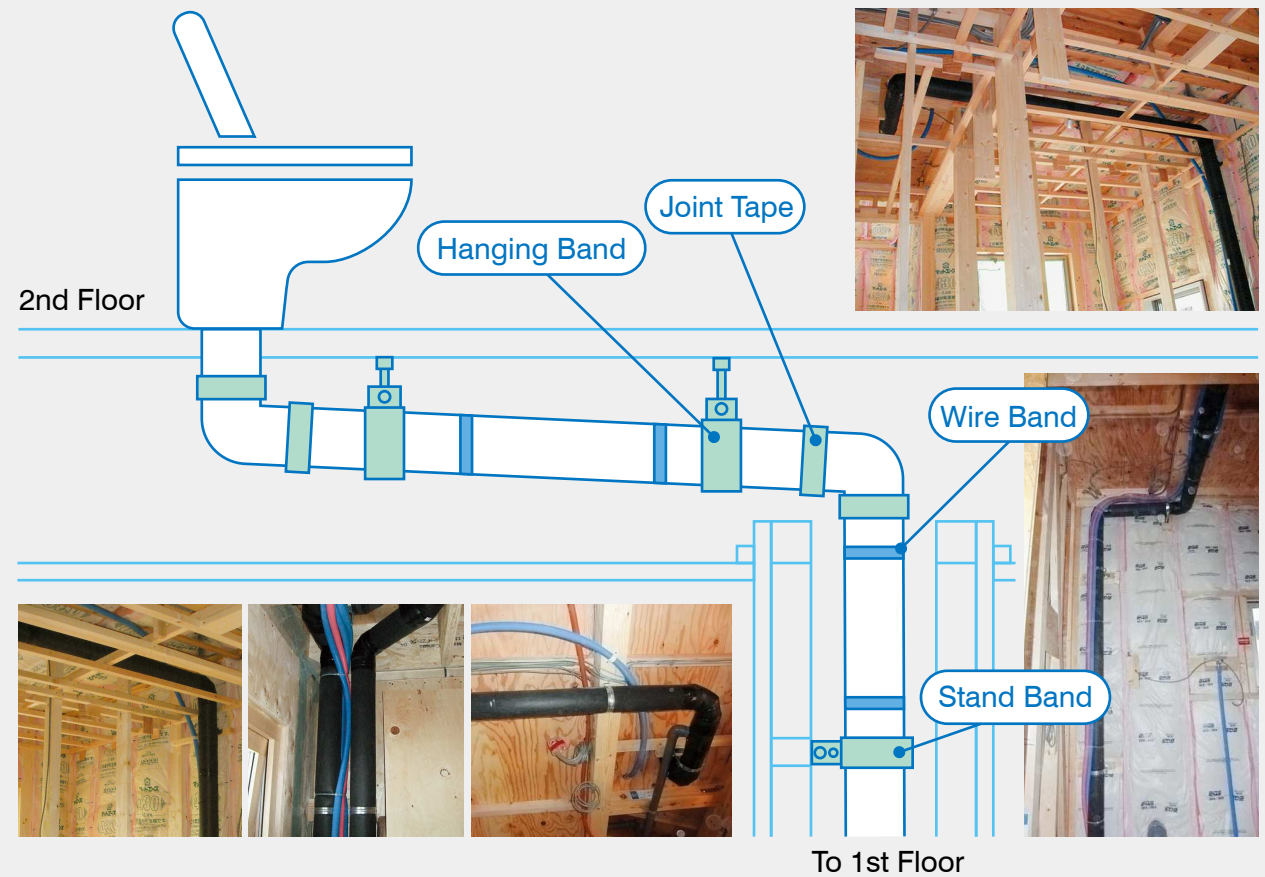
2 Connection with Integrated Fitting



Construction Example

Example of wooden house: water distribution piping from the 2nd floor toilet to under the 1st floor.

(Be sure to install Sound Absorbing Cover II without any gaps/blank spaces.)



HANDLE WITH CARE

- Be sure to use the appropriate size.
- When wrapping Joint Tape around the connection part, make sure there is no dirt (dust, oil, etc.) on it. (If there is any dirt, please wipe off with alcohol etc.)
- Make sure there are no gaps at the connection part of straight pipes and fittings, and finish them with Joint Tape.
- When using the On-site Construction Series, please prepare the appropriate size of PVC pipe separately.
- Please store the product without heavy load on it. Especially be careful when storing straight pipes, as "warping" may occur if they lean against at an unreasonable angle.
- Store the products in a place where it will not get wet nor be exposed to direct sunlight or ultraviolet rays, as this may cause deformation, discoloration, or deterioration.
- Do not bring fire close to the product, as it may cause deformation or fire.
- The color of the urethane foam in Sound Absorbing Cover II may differ depending on each pcs, but the same material is used and therefore there is no effect on performance.